

PRODUCT SPECIFICATIONS



EQUIPTER®
TOW-A-LIFT



DRIVE
TOW
LIFT



The Towable Forklift

PRODUCT SPECIFICATIONS

Empty Weight
2,700 lbs

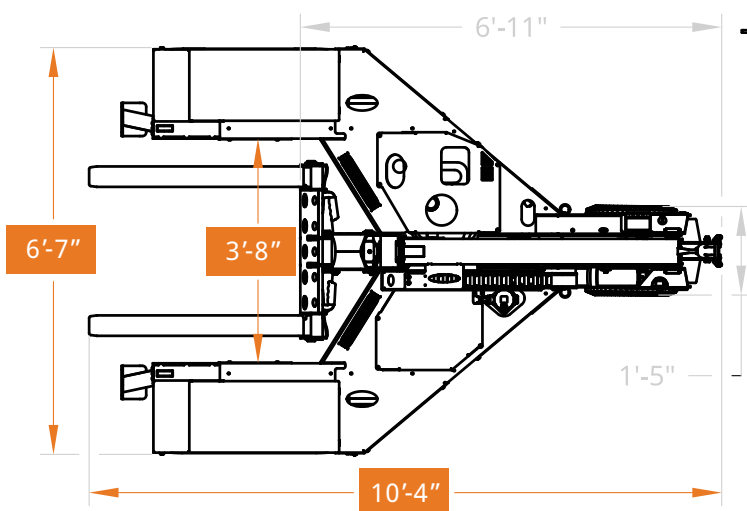
Lift Capacity
3,500 lbs

Lift Height
8'-0"

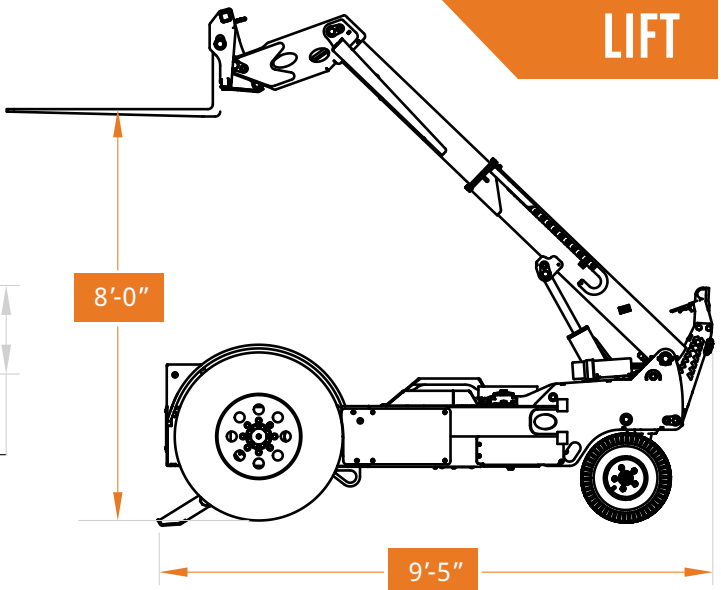
SPECIFICATIONS		FEATURES
Tow Mode Length	11'-4"	Telescoping boom
Work Mode Length	9'-5"	42" pallet fits between wheels
Height	3'-2"	Forks fold up and lock for towing
Width	6'-7"	Hitch swings down for towing
Engine	14 hp Vanguard	Wheels disengage for towing
Drive Tire Size	315/75R16	Radio control
Swivel Tire Size	18"	
Fork Length	42"	
Tongue Weight	740 lbs	

PRODUCT DIMENSIONS

DRIVE / TOW



LIFT



equipter.com/products/tow-a-lift

sales@equipter.com | 717-661-3591



Patented technology: see all of our patents at <https://newheightsmfg.com/patents>

PRODUCT LOAD CHARTS

